



pom basik
SPORT
PREMIUM SECURE FIT
WIRELESS EARBUDS

USER MANUAL

Thank you

For purchasing a POM Gear Basik Sports Bluetooth over the ear buds.

POM Gear products are developed to give the user Peace Of Mind. In today's hectic world, managing our on-the-go lifestyle is a challenge of its own. POM's Mission is to Create Products that Provide Simple Solutions. Combining the Latest Technology and Top Quality Gear to exceed all expectations. We're sure you'll have an enjoyable user experience. To get the most of your new POM Gear travel wall charger, please read the user manual carefully before use.

#STAYCONNECTED

Next

PRECAUTIONS

In order to ensure proper and safe use of the headset, please read this user manual in detail and comply with all regulations. Be aware the following guidelines when using your POM Gear headset:

1

Please do not use the headset in potentially hazardous situations to ensure your safety.

2

Please avoid using headset to listen to music and to make or receive phone calls while driving in order to avoid distractions.

3

Please keep product and its accessories out of the reach of children, in order to avoid danger associated with the inappropriate use of small pieces provided.

4

Please keep water away from this specific unit. Should water enter the headset, please remove and let dry before using again. Contact with water or other liquids may cause damage to the sound quality and operational use of the headset.

5

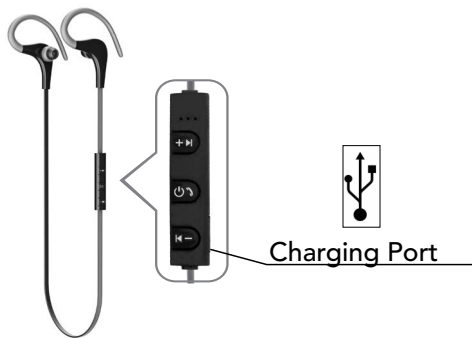
Please avoid playing music in headphones at highest volume for long periods of time. Doing so will prevent users from hearing sounds around them and this can be dangerous. Prolonged use on high volume may also lead to damage of the ear canal resulting in hearing loss and tinnitus. If you feel the volume of the headset may be set too high, please reduce the volume immediately. Stop using the headset if you feel an obvious discomfort, irritation or have other adverse reactions.

6

The headset should not be stored or use at temperatures below -15°C (5°F) or above 55°C (134°F) which may shorten headset or battery life.



Previous



Charger and Battery Information

1. Before charging, make sure the headset has been switched off.
2. Plug micro USB cable into the charging port of the headset: plug the other side of the USB cable into the USB charger. Charging will start and the red LED light will remain lit on the headset.

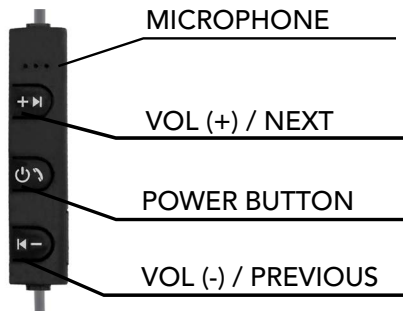
Next

- A full charge takes approximately 1.5-2 hours. When fully charged the red LED light will switch off. Please unplug charging cable when fully charged to avoid overcharging.

Warning:

Please use original cable for charging all Bluetooth headset devices. Use of alternative charging cables may cause damage to the headset. Alternate cables must have a voltage of 5v, and have electric current exceed 100Ma (5V/100MA) to ensure safe charging and optimal use of device. This headset uses a non-detachable built-in rechargeable battery. In order to prevent damage of the headset please do not attempt to remove the battery.

Previous



Powering On:

Hold down the Power Button until blue LED light blinks and "Power On" voice prompt is heard.

Pairing Mode:

Hold down the Power Button until blue and red LED lights begin to blink alternatively. Voice prompt will state "Pairing."

Next

Powering Off:

Hold down Power Button until red LED lights blink then turns off. Voice prompt will state "Power off."

Pairing Headset with your Device:

1. Keep the distance between the headset and devices within 1 meter (3.2 feet) when pairing.
2. Turn on the headset and hold Power Button until blue and red LED lights blink alternatively. The device will enter pairing mode and voice prompt will state "Pairing."
3. Initiate Bluetooth function on your music device and the "POM Basik" should appear on your device's Bluetooth list. Select the headset and the voice prompt will state "Connected."

Previous

4. Some mobile phones and other devices request that you input a pin number to pair. If so please input the pin number "0000" as password and the headset will automatically connect with our mobile phone. When the headset is connected to your device the blue LED light will begin to blink slowly.

5. Reconnecting the headset to a previous device is simple. When the headset is turned on and switched into pairing mode it will automatically reconnect with the device it was previously connected to when it finds the device is still available. If your headset still does not pair, please turn off the headset and your devices Bluetooth and repeat steps 1-4.

Next

Disconnecting the Headset with your Device:

- To switch off the headset hold down the Power Button until the red LED lights shuts off.
- You can also move the headset 20 meter (60ft) away from the device it is connected to and the Bluetooth will automatically disconnect but the headset will not power off.

Answer Incoming Call:

When there is an incoming call press the Power Button once to answer the call. You can also use your mobile device to answer a call.

Reject a Call:

When there is an incoming call, quickly press the Power Button twice to reject the call. You can also use your mobile phone to reject the call.

End a Call:

Press the Power Button once or use your mobile to hang up your current call.

Redialing a Call:

When using the headset to make calls you can quickly double-click the Power Button to redial your last call.

Playing and Pausing Music:

Press Power Button once to Play or Pause music.

Volume Adjustment & Music Selection:

1. Press the Vol (+) and Vol (-) buttons as preferred to adjust music or call volume.
2. Press and hold the Vol (+) button to skip to the next track.
3. Press and hold the Vol (-) button to restart the current track or return to the previous track.

SPECIFICATIONS

Bluetooth Version: V4.1

Bluetooth Profile:

HSP, HFP, A2DP, AVRCP, CSR

Frequency range:

20HZ-20000HZ

Operating distance:

33FT

Rechargeable Battery:

Lithium-ion 3.7V / 120 mAh

Charging Voltage:

DC4.75-5.25

Talking/music-playing time:

6 hours

Charging time: 2 hours

CARE AND HANDLING

Your POM Gear device is a precision-engineered instrument. To ensure its continuous optimal performance, you should look after it as you would any quality consumer electronic product, and use it in accordance with the following instructions.

We recommend:

- 1.** Avoid leaving your device in direct sunlight or any area where temperature may exceed 60 degrees Celsius or 140 degrees Fahrenheit. Remember that on a hot day the temperature inside a closed car may be significantly high than the outside air temperature.

- 2.** Do not leave your device in any area exposed to humidity, dust, soot, smoke, or steam or other foreign objects, as this may cause your device to malfunction.

- 3.** Do not use any household or industrial grade detergents or cleaners to clean your device. If your device becomes dirty, in most instances a wipe with a dry or slightly damp cloth should be sufficient enough to clean it without damaging it.

- 4.** Do not leave your device plugged into a wall or car charger for long periods of time after it is fully charged. Many negative affects can be the result of over charging.

5. Before charging your POM Gear device, make sure that the AC outlet; adaptor and cable are not damaged. If you notice any abnormalities please seek advice from a qualified professional before using the cables as this can result in personal injury as well as damage your device.

6. When traveling internationally, ensure that your POM Gear device voltage suits to the local power supply. We would recommend a secondary power source product from our Power2Go line so as to enable on-the-go charging for any device.

7. Should a technical difficulty develop within your POM Gear device that inhibits you to use it properly, contact info@pomgear.com for advice on how to proceed.

8. Do not disassemble or attempt to modify it or replace any part of this unit, or you won't be able to use your warranty coverage.

9. Do not attempt to operate unit using any other method than directed.